

Heating
Technical Data

EKHWS-D3V3



- > EKHWS150D3V3
- > EKHWS180D3V3
- > EKHWS200D3V3
- > EKHWS250D3V3
- > EKHWS300D3V3

TABLE OF CONTENTS

EKHWS-D3V3

1	Features	2
2	Specifications	3
	Technical Specifications	3
	Electrical Specifications	3
3	Dimensional drawings	4
4	Wiring diagrams	5
	Wiring Diagrams - Single Phase	5

1 Features

Stainless steel domestic hot water tank

- Available in 150, 180, 200, 250 and 300 liters
- Stainless steel domestic hot water tank

1



2 Specifications

2-1 Technical Specifications				EKHS150D3V3	EKHS180D3V3	EKHS200D3V3	EKHS250D3V3	EKHS300D3V3	
Casing	Colour			Neutral white					
	Material			Epoxy coated steel / Epoxy-coated mild steel					
Dimensions	Unit	Height	Tank	mm	1,000	1,164	1,264	1,535	1,745
		Diameter		mm	595				
	Packed unit	Height	mm		1,037	1,203	1,305	1,575	1,785
		Width	mm		600				
Depth		mm		600					
Weight	Unit	Empty	kg		45	50	53	58	63
		Full	kg		190	224	245	300	355
	Packed unit	Empty	kg		50	56	59	65	70
Packing	Material			Carton					
	Weight			kg	1		2		3
Tank	Water volume			l	145	174	192	242	292
	Material			Stainless steel (EN 1.4521)					
	Maximum water temperature			°C	75 (1)				
	Maximum water pressure			bar	10				
	Insulation	Heat loss		kWh/24h	1.1 (1)	1.2 (1)	1.3 (1)	1.4 (1)	1.6 (1)
		Material			Polyurethane foam				
		Minimum thickness		mm	44.5				
	Energy efficiency class			B					
	Standing heat loss			W	45	50	55	60	68
	Storage volume			l	145	174	192	242	292
Heat exchanger	Domestic hot water	Quantity			1				
		Tube material			Stainless steel (EN 1.4521)				
		Face area	m ²		1.050	1.400	1.800		
		Internal coil volume	l		4.9	6.5	8.2		
		Operating pressure	bar		10				
Booster heater	Quantity			1					
	Capacity			kW	3				
3-way valve	Coefficient of flow (kV)	Space heating	m ³ /h		12				
		Domestic hot water tank	m ³ /h		12				
		Unit	m ³ /h		12				
	Inlet	inch		RP 1"					
	Outlet	Type	inch		2 x RP 1"				
Temperature sensor	Cable length			m	12.0				
Piping connections	Water inlet heat exchanger diameter			inch	G 3/4" (female)				
	Water outlet heat exchanger diameter			inch	G 3/4" (female)				
	Cold water in	Diameter	inch		G 3/4" (female)				
	Hot water out	Diameter	inch		G 3/4" (female)				
	Recirculation connection			inch	G 3/4" (female)				
Safety devices	Item	01		Thermal cut out: 85°C					
General	Supplier/Manufacturer details	Name and address		Daikin Europe N.V. - Zandvoordestraat 300, 8400 Oostende, Belgium					
2-2 Electrical Specifications				EKHS150D3V3	EKHS180D3V3	EKHS200D3V3	EKHS250D3V3	EKHS300D3V3	
Power supply	Phase			1~					
	Frequency			Hz	50				
	Voltage			V	230				
Current	Nominal running current (RLA)			A	13.0				
	Fuse	Size	A		20				
		Phase			1~				

Notes

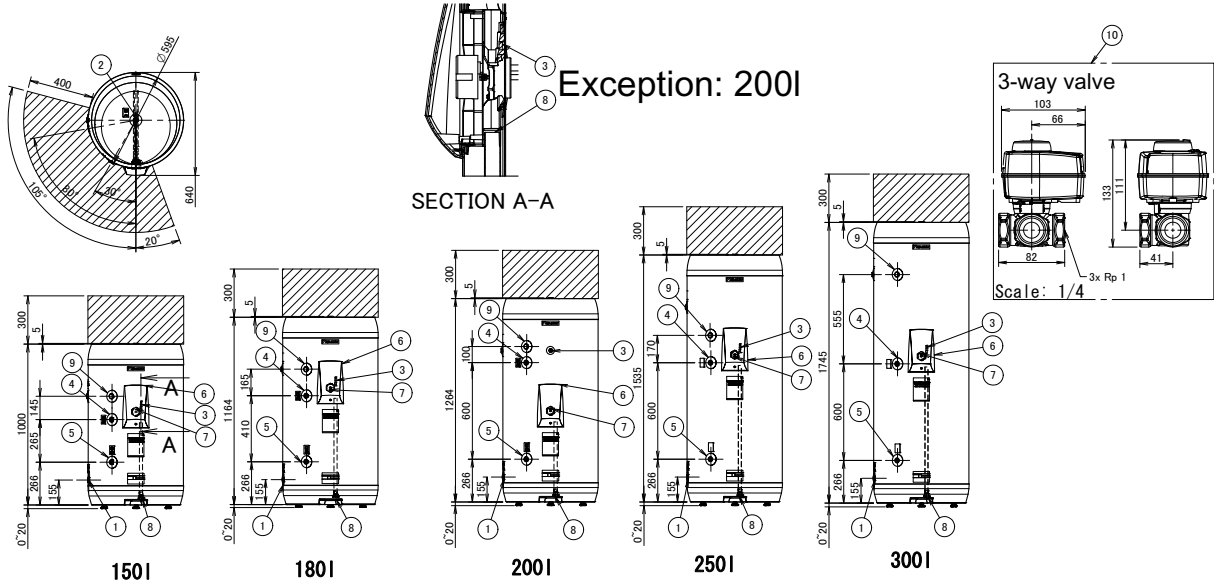
(1) Heatloss according to EN12897

3 Dimensional drawings

3 - 1 Dimensional Drawings

3

EKHWS-D3V3



- ① Water mains IN G3/4 (female)
- ② Domestic hot water: hot water out G3/4F
- ③ Thermistor
- ④ Water IN connection (from indoor unit) G3/4 (female)
- ⑤ Water OUT connection (to indoor unit) G3/4 (female)
- ⑥ Switch box
- ⑦ Thermal protector booster heater
- ⑧ Wiring intake for booster heater power supply and thermal protection cable
- ⑨ Recirculation connection G3/4 (female)
- ⑩ 3-way valve

Required space for service and installation

3D112780


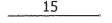

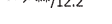





4

4 Wiring diagrams

4 - 1 Wiring Diagrams - Single Phase

EKHWSU-D3V3
EKHWS-D3V3

NOTES to go through before starting the unit

-  : Earth wiring
-  : Wire number 15
-  : Field supply
-  : Connection ** continues on page 12 column 2
-  : Several wiring possibilities
-  : Option
-  : Wiring depending on model
-  : Not mounted in switch box
-  : PCB

LEGEND

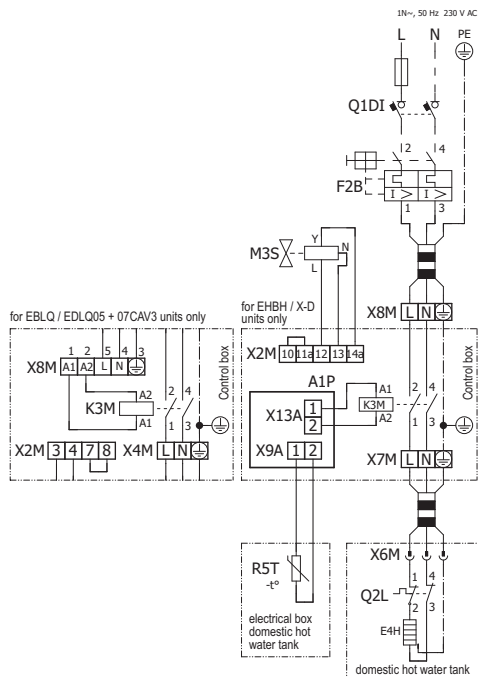
Part n°	Description
A1P	main PCB
E4H	booster heater
F2B	# overcurrent fuse booster heater
K3M	contactor booster heater
M3S	3 way valve for floorheating / domestic hot water
Q1DI	# earth leakage circuit breaker
Q2L	thermal protector booster heater
R5T	domestic hot water thermistor
X*M	terminal strip

* : optional
: field supply

4D113438

EKHWSU-D3V3
EKHWS-D3V3

0	1	2	3	4	5	6	7	8	9
---	---	---	---	---	---	---	---	---	---



4D113438

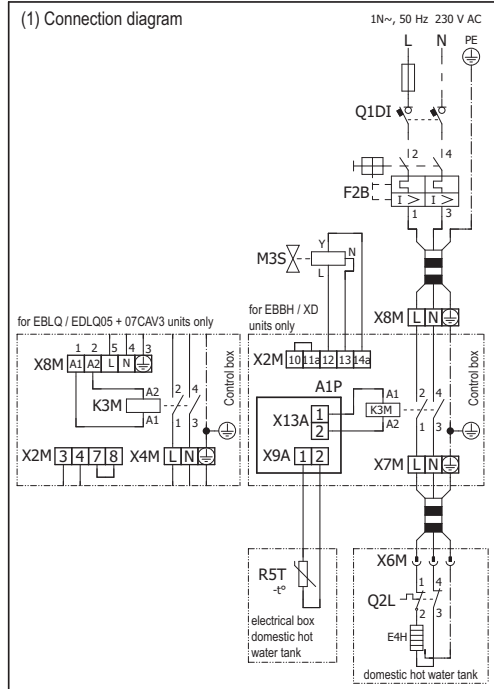
4 Wiring diagrams

4 - 1 Wiring Diagrams - Single Phase

EKHWSU-D3V3
EKHWS-D3V3

0 1 2 3 4 5 6 7 8 9

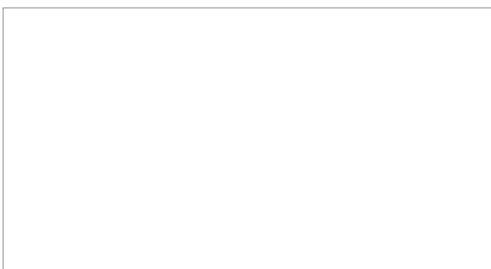
4



4D113438



Daikin Europe N.V. Naamloze Vennootschap - Zandvoordestraat 300, B-8400 Oostende - Belgium - www.daikin.eu - BE 0412 120 336 - RPR Oostende



EEDEN18 06/18



The present leaflet is drawn up by way of information only and does not constitute an offer binding upon Daikin Europe N.V.. Daikin Europe N.V. has compiled the content of this leaflet to the best of its knowledge. No express or implied warranty is given for the completeness, accuracy, reliability or fitness for particular purpose of its content and the products and services presented therein. Specifications are subject to change without prior notice. Daikin Europe N.V. explicitly rejects any liability for any direct or indirect damage, in the broadest sense, arising from or related to the use and/or interpretation of this leaflet. All content is copyrighted by Daikin Europe N.V.