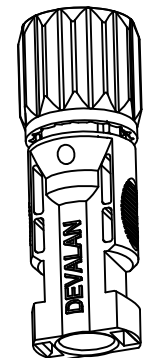
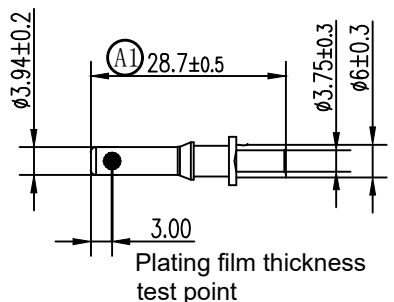
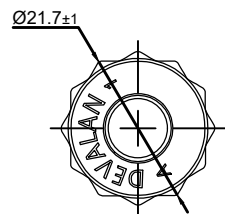
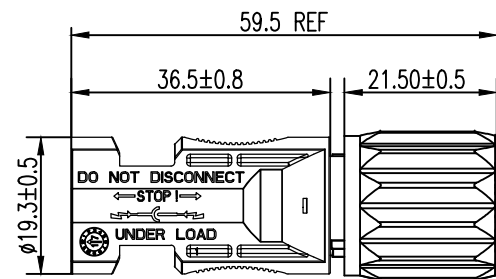
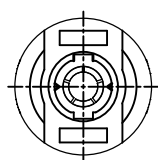
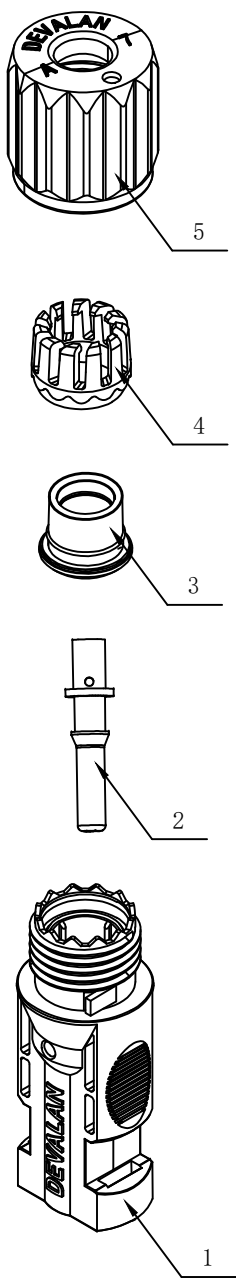


REV	Date	Description	Change By.	Change No.
AO	2021.07.30	First Issue		
A1	2023.04.27	Update Drawing	GP. Fang	



Technical Data:

Electrical:

1. Rated Voltage: 1100 VAC;
2. Rated Impulse Voltage: 6400 VAC;
3. Rated Current: 6mm²/10AWG 40A TUV ;
4. Contact Resistance: ≤0.4 mΩ;
5. Isulation Resistance: ≥5000 MΩ;

Mechanical:

1. Mating Cycle: ≥500 Cycles;

Environmental:

1. Protection level: IP68 1m-1H (After Mating) ;
2. Operating Temperature: -40°C ~ +85°C.

The product meets: IEC 62852

Housing material: PBT/PC/PA

Terminal material: Copper alloy, Bright Tin 2-5 μm Plated;

Terminal retention force: ≥5.0kgf;

Salt fog Test duration: 24H;

All materials meet RoHS environmental requirements;

Adapter cable: Ø4.0-Ø7.4mm

Torque for the connector lock nut: 2.6 N·m ~ 2.9 N·m. .

Table of materials:

5	Lock screw cap	PBT/PA	1	Black
4	Waterproof jaws	PBT/PA	1	Black
3	Cylindrical Seals	Silica gel	1	Beige
2	Terminal (Machining)	Copper alloy	1	Sn Plated
1	Housing	PBT/PC	1	Blue
NO.	Name	Materials	Quantity	Remark

Approved		Sheet	1/1	VACONN P/N	VP-D4B-CHDM6B
Checked		Unit	mm	Product Name	D4B线端手开公头机加端子连接器
Confirm		Projection		东莞市典威电子有限公司 Dongguan Vaconn Electronic Technology Co., Ltd.	
Designed					