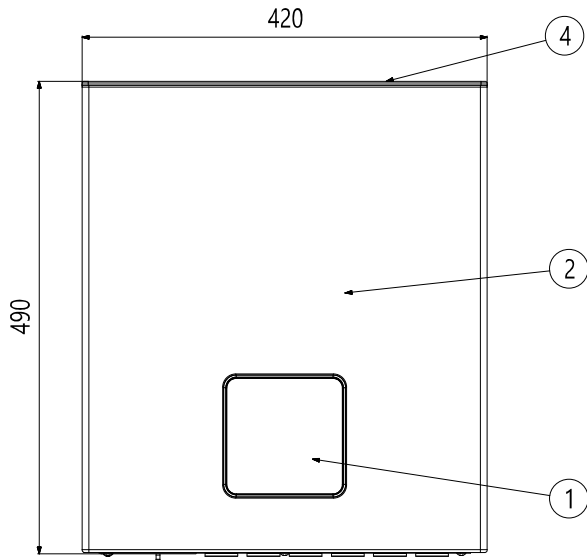
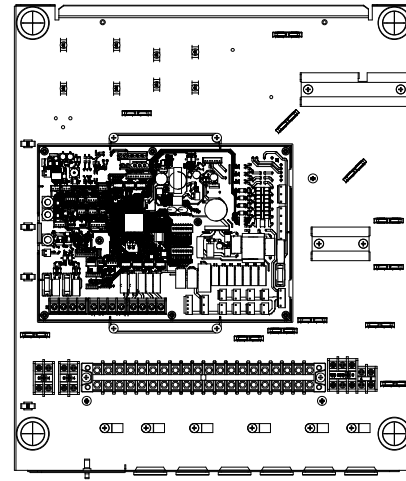
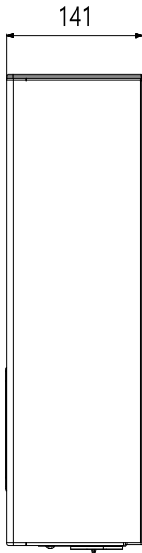


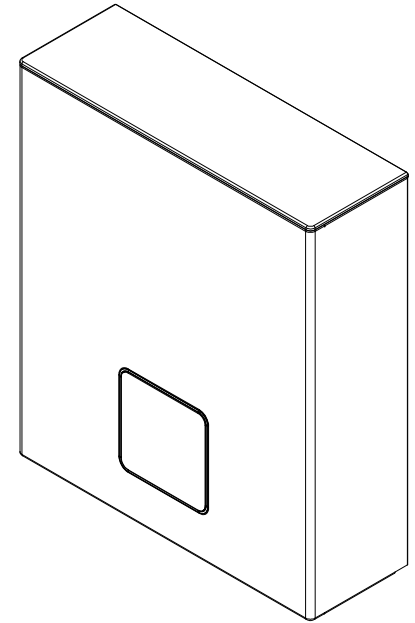
[Unit : mm]
P/No. : T-240717410



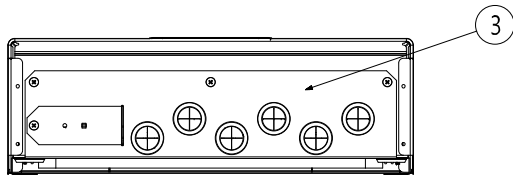
<External>



<Internal>



3D View



4	Cover	MOLD ABS
3	Base Assembly,Indoor	PCB and terminal blocks
2	Panel Assembly,Front	SGMCD1 M08 ESSENCE WHITE PCM
1	Remote Controller Assembly	Built-in Remote Controller
No.	Part Name	Description