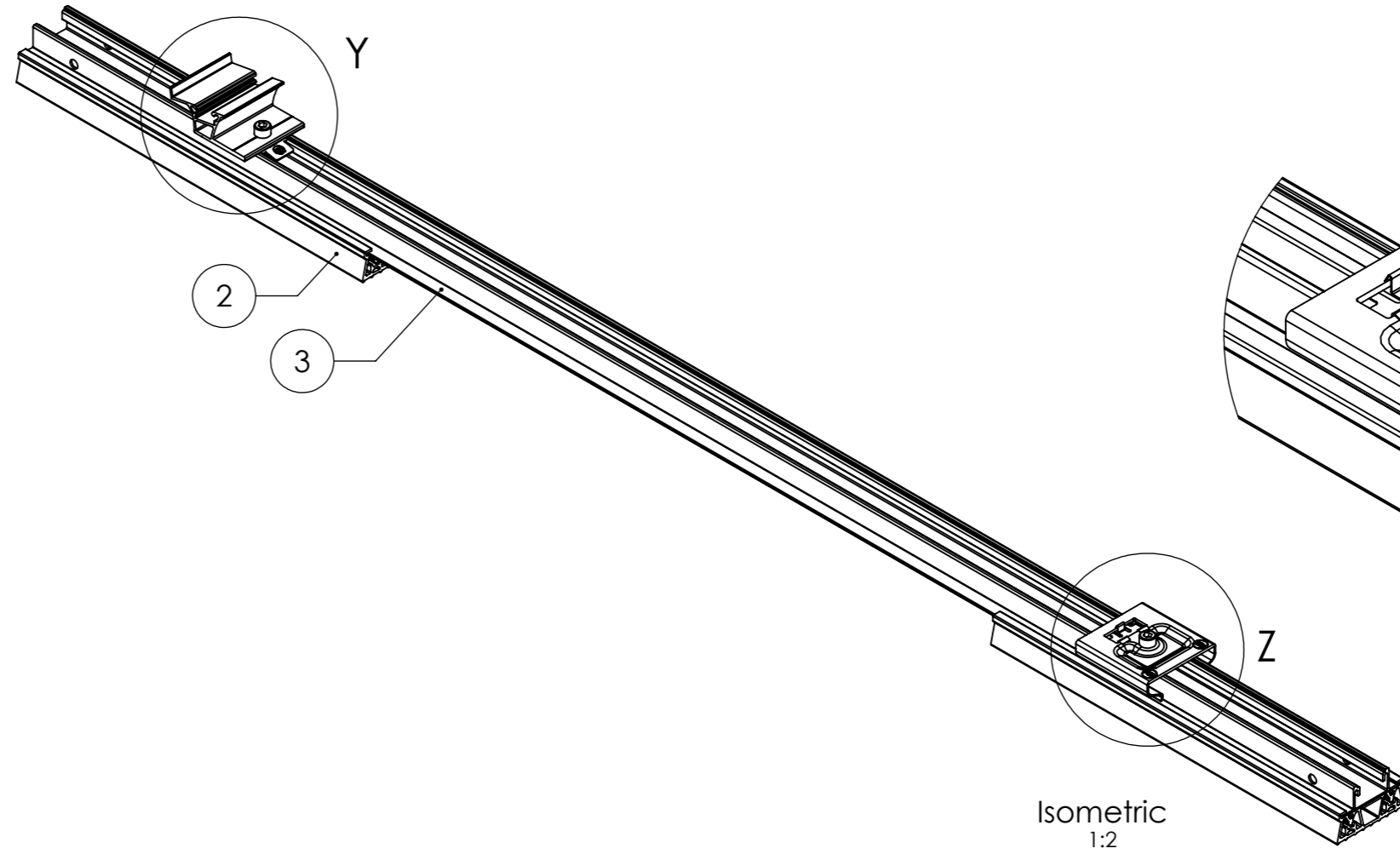
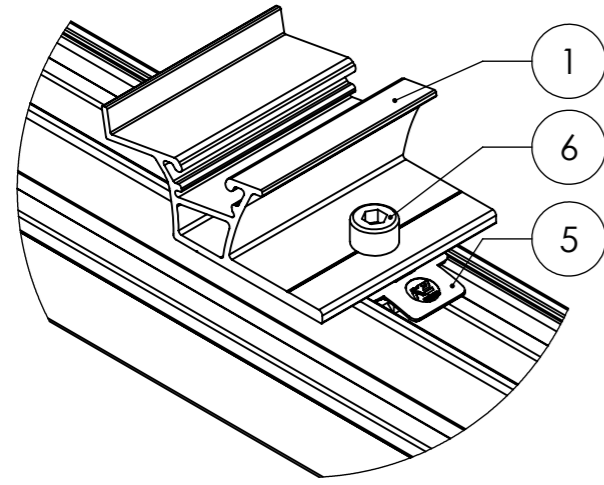
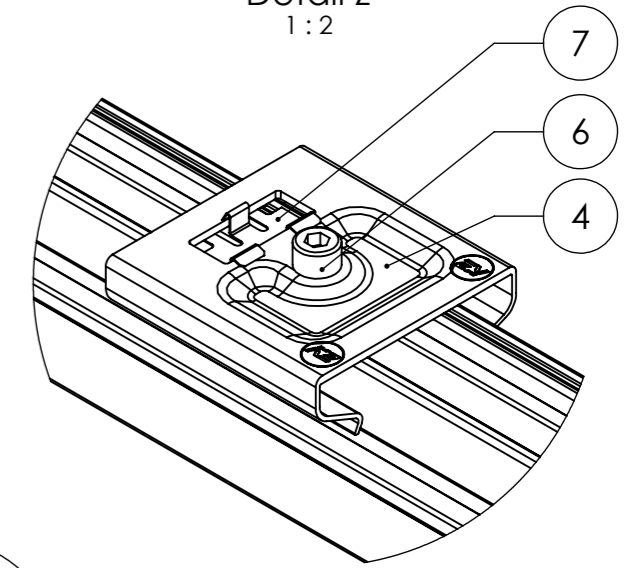


Detail Y  
1:2



Detail Z  
1:2



Isometric  
1:2

Pos.No.	Designation	Material	Quantity
1	Dome 6.10 SD	EN AW 6063 T66	1
2	Mat S 380	EPDM Shore 70	2
3	S-Dome 6.10 BasicRail 1,45 m	EN AW 6063 T66	1
4	Dome 6 EndPlate	EN AW 6063 T4	1
5	MK2	Stainless steel 1.4301/TPC	2
6	Socket head bolt serrated ISO4762 - M8x20	Stainless steel A2	2
7	Dome 6 Clip	EN AW 6063 T66	1



K2 Systems GmbH  
Industriestr. 18  
71272 Renningen  
Germany  
+49 7159 42059-0

Designation:  
**S-Dome 6.10 Base Set  
Subassembly**

Designed	A. Gerstenberger	Date	26.05.2020	Material:	see table	Item no.:	2003247	A3
Approved	E. Markou	Date	13.03.2023	Surface:	-	Drawing no.:	07-467-14	All dimensions in mm
Last change	A. Soumpalas	Date	13.03.2023	Weight:	ca. 1894.0 g/pc	Scale:	1:5	Sheet 1 of 1

This drawing is the sole property of K2 Systems GmbH. It is protected by copyright and may only be copied, reproduced or distributed to a third party with explicit permission!